



Series 6720 : Mobile Diesel Dispenser

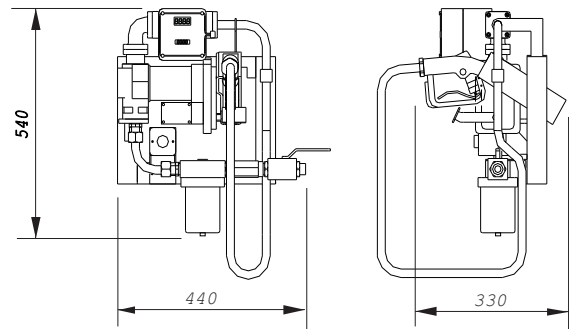
For Tankers / Bouzers / Refueling Vehicles



Specifications

Flow Capacity	: 0 - 60 LPM
Accuracy	: ± 0.5% of reading
Supply Voltage	: 24V DC from vehicle battery
Batch Display	: 12 mm Height LCD 999.99 litres
Cumulative Display	: 8 mm height LCD 99999999 litres
Filter Mesh	: 150 Micron SS Mesh Reusable Type
Hose Nozzle	: 1" R3 Grade Rubber, 5 Meter Long 3/4" Shut off Nozzle

Dimensions



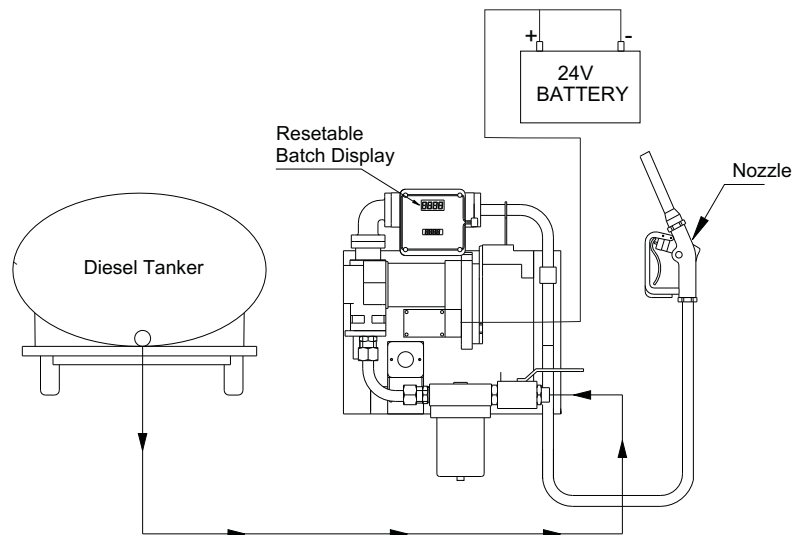
Introduction

The Fluidyne Series 6720 : Mobile Diesel Dispenser is a compact dispensing solution for diesel dispensing at construction and mining sites. 24V DC operation and a tamper-proof metering unit makes it a very attractive device for conserving precious diesel fuel and controlling pilferage on construction/mining sites.

Features

- High capacity vane pump for diesel dispensing.
- High accuracy P. D. Flowmeter for measurement.
- Built-in reusable large capacity filter.
- 3/4" size Shut off nozzle for filling.
- Pad locking facility for nozzle.
- Resettable Batch and Cumulative Totaliser.
- Self Powered Display.
- 24V DC vehicle battery operation.
- Rugged construction to suit harsh environments.

Installation



Fluidyne Control Systems (P) Ltd.

S. No. 79/2, Plot No.12, Near Agarwal Godown, Shivne,
Pune-411 023, India
Tel.: 020-25290504, 25290870 Fax: 020-25292773
E-mail: fluidyne@vsnl.net