



Series 6760 : Diesel Dispenser

For Refueling Industrial Vehicles / Forklifts / Cranes

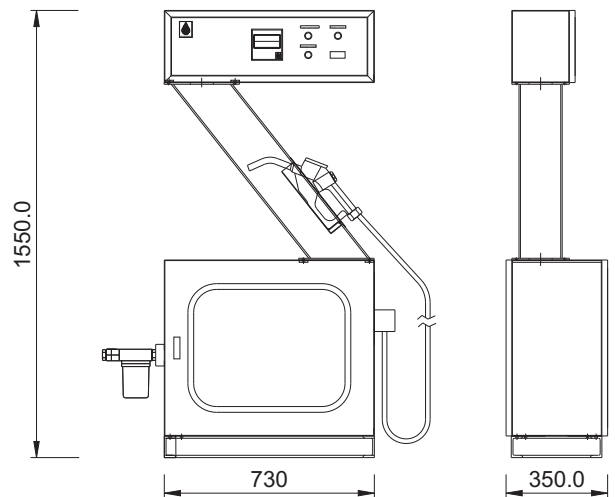


The Fluidyne Series 6760 : Diesel Dispenser is a compact and economical diesel dispensing solution for company owned cars, buses, forklifts and cranes in industrial premises. Tamper proof operation and simple operating interface makes for a very attractive solution for controlling pilferage and consumption of diesel.

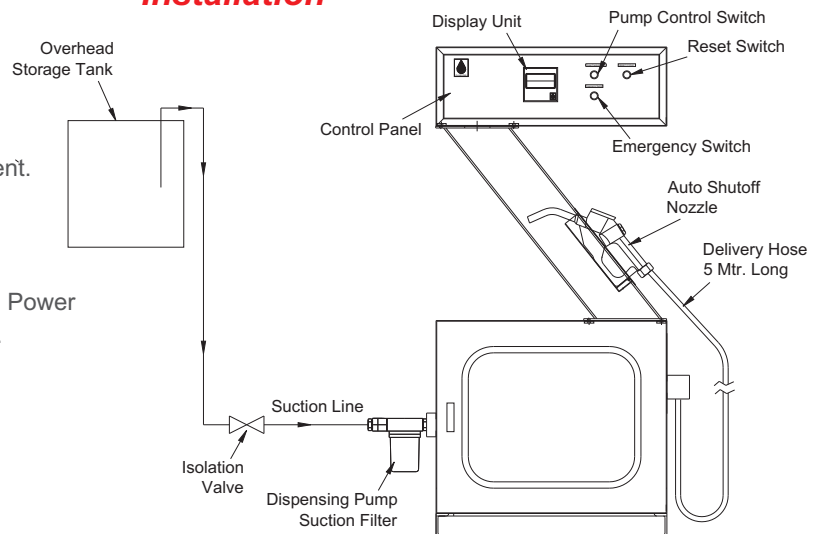
Specifications

Flow Capacity	: 0 - 35 LPM
Accuracy	: ± 0.5% of reading
Supply Voltage	: AC 440V 3 Phase 50 Hz
Batch Display	: a) Reset Batch - 999.99 liters
Display	: 12 mm Height LCD
	b) Cumulative Totaliser - 9999999 liters
	12 mm Height LCD
	c) Power Supply - Built in Lithium Battery
	5 year life
Filter Mesh	: 100 micron SS Mesh Reusable
Hose	: 3/4" Size Auto Switch Off Type
Nozzle	: R3 Grade Rubber Hose , 5 Meter Long
	: Gear Pump With 1 HP Motor

Dimensions



Installation



Features

- High capacity gear pump
- High accuracy P. D. Flow Sensor for measurement.
- Built in large capacity filter.
- Auto shut off nozzle for tank topping up.
- Resettable Batch and Cumulative Totaliser.
- Self Powered Display, No dependence on Mains Power
- Rugged construction to suit harsh environments.
- Transparent Panel conforming to TPM Norms.