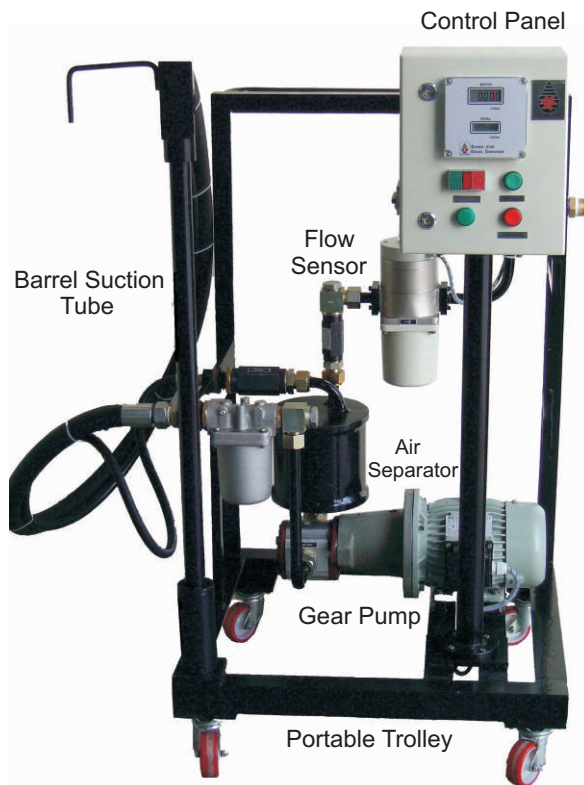




Series 7110 : Barrel Unloading System

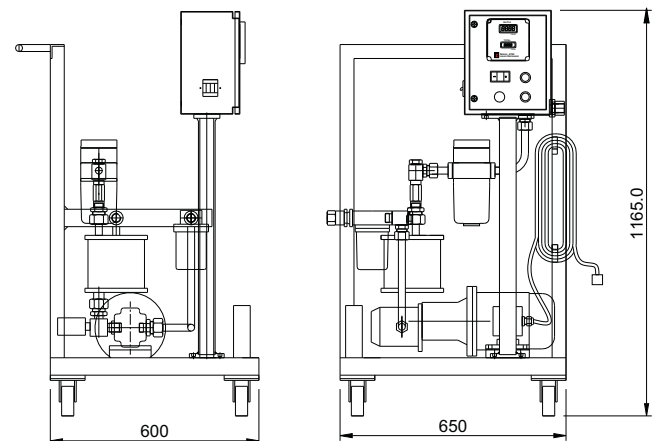
For accurate measurement during unloading barrels.
Diesel / Kerosene / Solvent Applications



Specifications

| | |
|----------------------------|---|
| Flow Capacity | : 25 LPM |
| Accuracy | : Better than 0.5% |
| Flow Meter Type | : Positive Displacement - Rotary Piston |
| Pump Type | : Gear Pump |
| Motor | : 1HP 3*440V power supply |
| Air Separator | : High capacity ½" Port size |
| Display | : 5 digit ½" LCD 1999.9 litres resetable 8 digit 8mm LCD 999999.9 litres non-resetable |
| Barrel Suction Tube | : 1" Metal pipe |
| Trolley | : Fabricated steel with center wheel. |
| Filter | : 150 micron reusable. |
| Suction Hose | : 1",3 Meter long Rubber Hose |

Dimensions



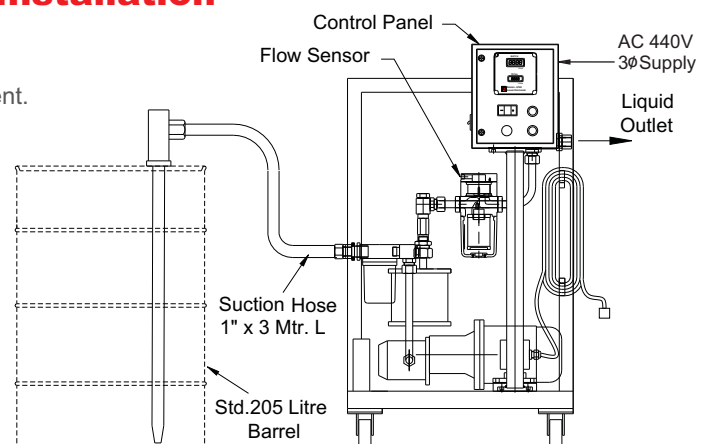
Introduction

The series 7110 is specially designed for accurate measurement of liquid fuels such as diesel, kerosene and solvents during unloading from barrels. Accurate flow measurement is the only solution to checking the dip-rod measurement standard on barrels. The system offers excellent protection against pilferage and short supply normally encountered in this application.

Features

- High accuracy positive displacement flowsensor for measurement.
- 1 HP Gear Pump for decanting barrel within 10min.
- High capacity air separator for maintaining accuracy.
- Construction ensures system is fully primed at all times.
- LCD display for easy readability.
- Weather-proof and flame-proof electrical fitting.
- Convenient metal barrel suction tube with hose provided.
- Left over liquid in barrel is less than half a litre.
- Convenient mobile trolley mounted for portability.
- RS485 Serial – output for PLC interface optional.

Installation



Fluidyne Control Systems (P) Ltd.

S. No. 79/2, Plot No.12, Near Agarwal Godown, Shivne,
Pune-411 023, India
Tel.: 020-25290504, 25290870 Fax: 020-25292773
E-mail: fluidyne@vsnl.net